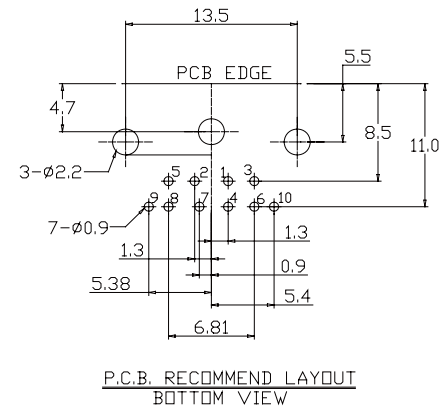
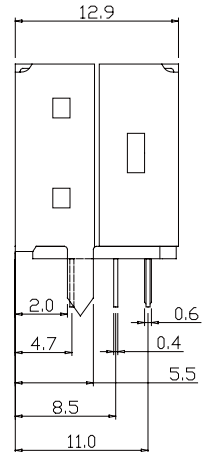
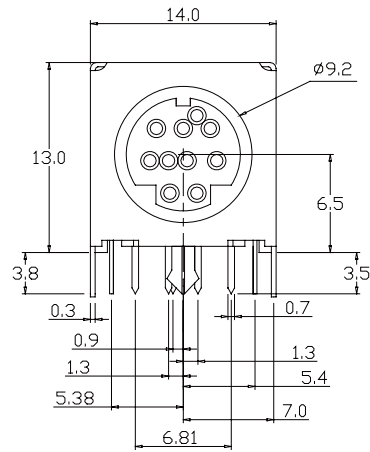


BY	CHK	REVISION RECORD MODIFICATIONS	DATE	REV.
ALLEN		RELEASE TO PRODUCTION	2007,9,12	1.0



No.	NAME	MATERIAL	FINISH	Q'TY	REMARK
1	HOUSING	PBT G.F.	BLACK	1	
2	CONTACT	PHOS. BRONZE T:0.2	GOLD-TIN PLATED	8	Gold1~3u' / TIN:40~60u' TIN:120u'
3	SHIELD	BRASS T:0.3	TIN PLATED	1	TIN:120~200u'
4	BOTTOM COVER	PBT G.F.	BLACK	1	
5	HARPOON	BRASS T:0.4	GOLD-TIN PLATED	2	Gold1~3u' / TIN:40~60u' TIN:120u'

Part No.: M D J-508H-10-L

APPRO	CHECK	DRAWN	PART NO.	Part No.:MDJ-508H-10-L			DESCRIPTION	
			ITEM NO.					
			DRAW NO.					
			UNIT	mm	SCALE	no		
			TOLER		NO.		Tel: 0769 22020068 Fax: 0769 22020069 E-mail: sales@vigortec.com	